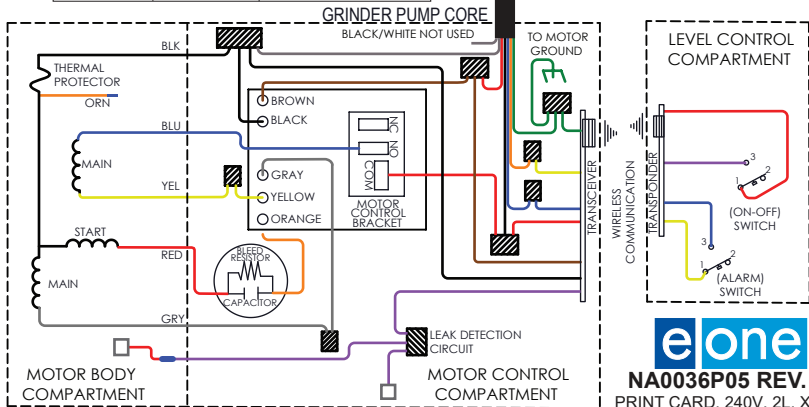


Wire color chart for Model WX Pumps (Listed for Explosion Proof)

EQD Pin #	Wire Color	Function
1	Red	Manual Run
2	Black	L1
3	White	L2
4	Green	Ground
5	Orange	Alarm Power Feed
6	Blue	Alarm Power Return



eone

NA0036P05 REV. C

PRINT CARD, 240V, 2L, XP